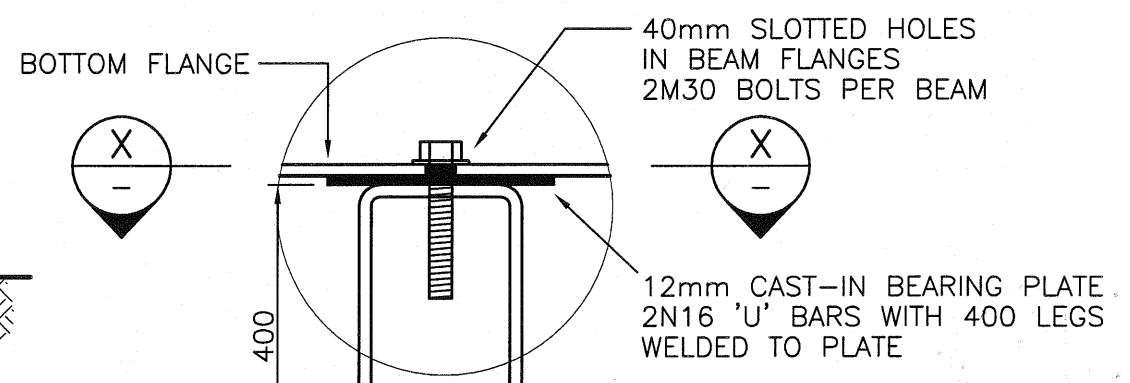


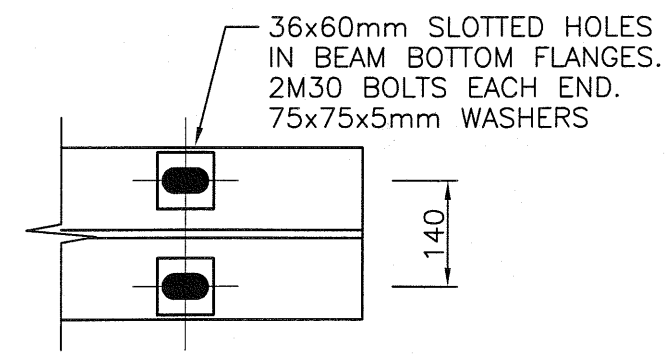
ADOPT 610UB101 TO SPAN 12m MAX.
ADOPT 610UB125 TO SPAN 15m MAX.

SECTION OF CHANNEL
200 x 75 PFC

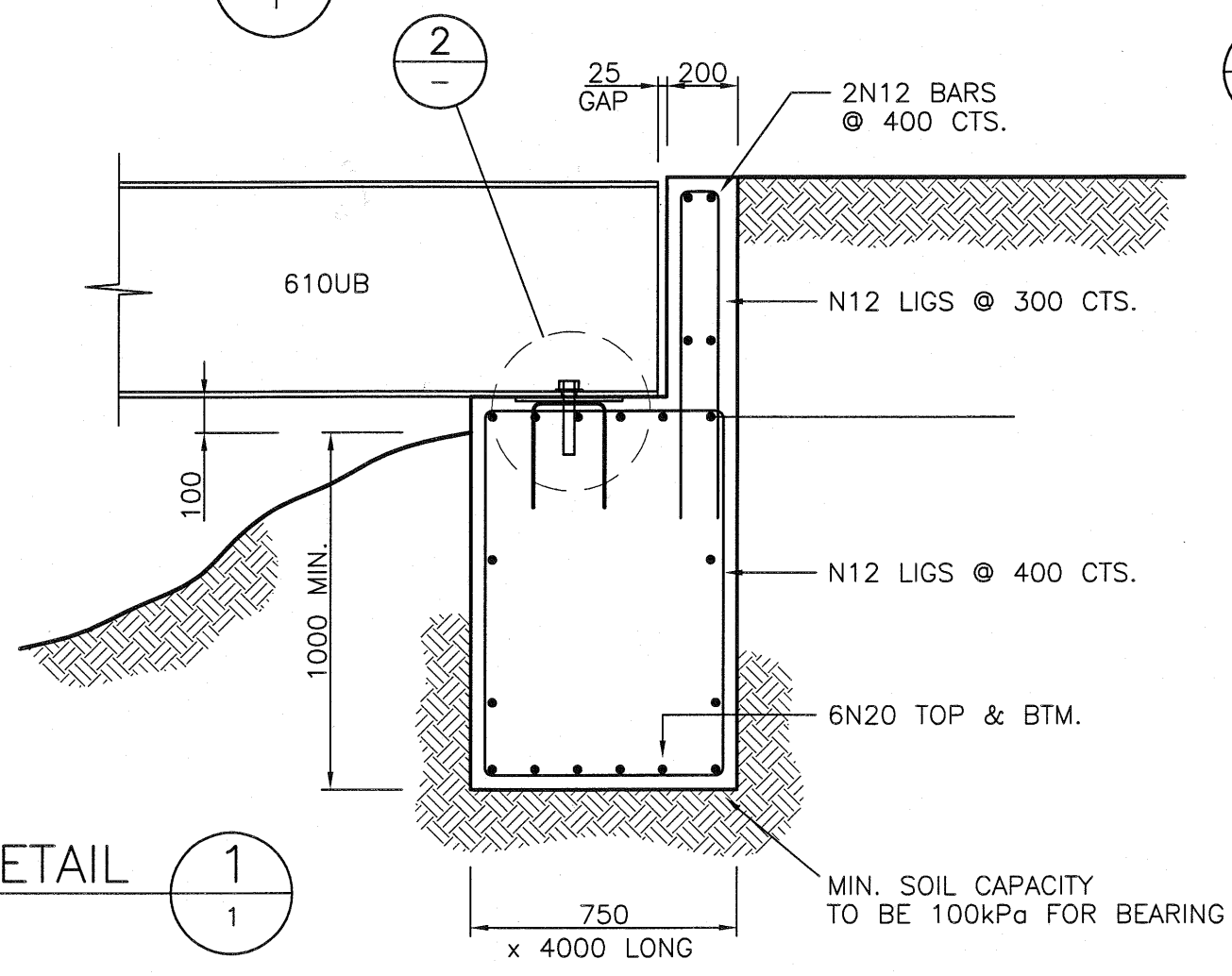
SECTION **A**
1



DETAIL **2**
-



SECTION **X**
-



DETAIL **1**
1

MIN. SOIL CAPACITY
TO BE 100kPa FOR BEARING

A	07/02/05	ISSUE FOR CONSTRUCTION	A.B.
No.	DATE	DETAILS	BY

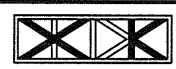
Project:
**DESIGN FOR PORTABLE BRIDGE
FOR ACCESS RECYCLING**

Sheet Title:
DETAIL SECTION

Client: ACCESS TRADING COMPANY PTY LTD

Scale: 1:20, 1:10 @ A3 Design: P.Xeros

XEROS KENDALL CONSULTING ENGINEERS
124 BEST STREET
WAGGA WAGGA, NSW, 2650
TELEPHONE (02) 69212181
FACSIMILE (02) 69216864
EMAIL XKWAGGA@BIGPOND.COM



Drawn: A.Barrow
Date: Feb 2006
Chk'd: *Plaos*

A.C.N. 063 282 299
051066-2